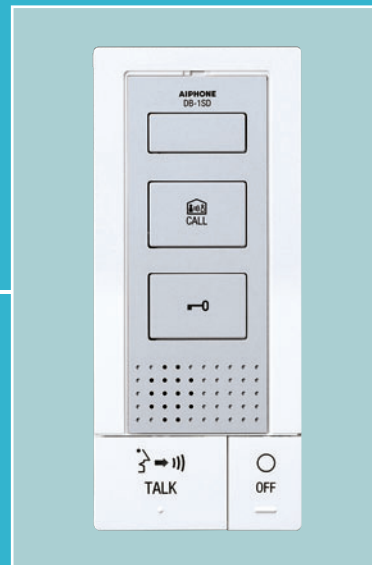
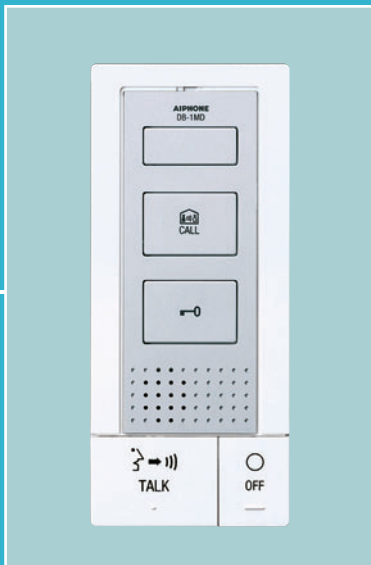




DBS-1A

Two-wire Electric Lock
Door Phone Kit



Provides Entry Security
for your Residence

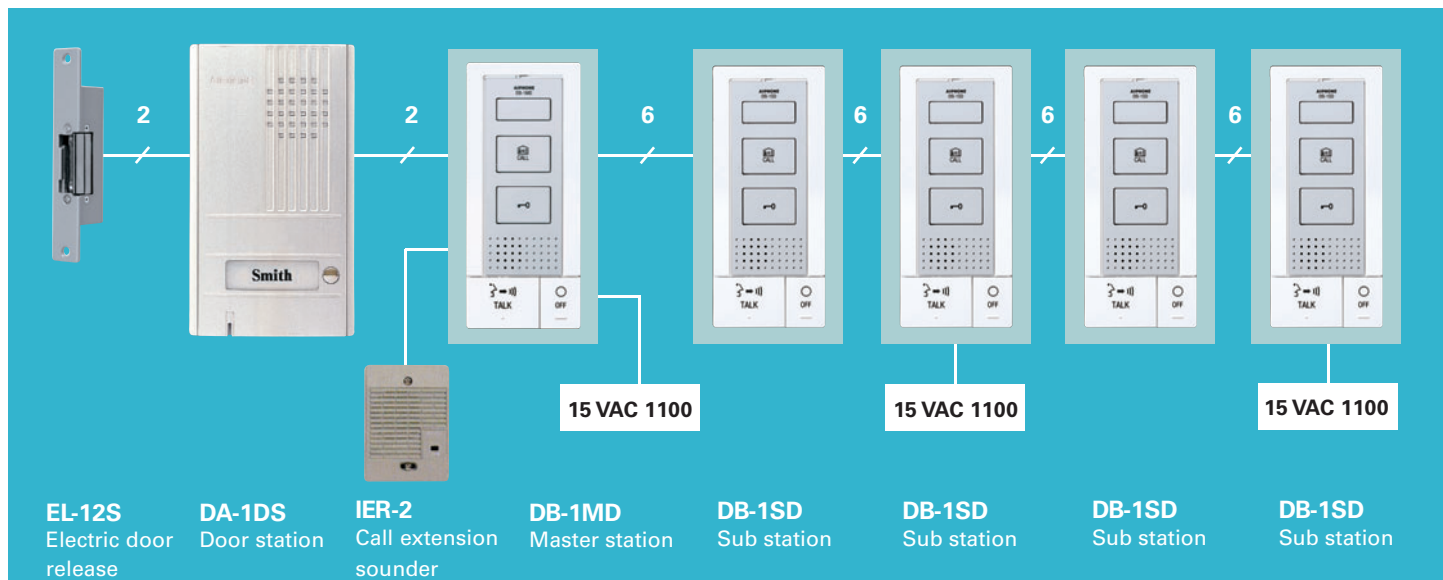
L & C Locksmiths
107-113 Booth St,
Annandale NSW 2038
Ph :9660 1811
Fax : 9660 2423



One Call For All Your Security Needs
www.innerwestsecurity.com

Simplified Two-Wire Door Entry Kit

System Configuration



Features

- Connect up to 4 additional sub stations.
- Connect Electric Door Release with two wires from door station. Requires no extra power supply for door release. An AC operated door strike is required.
- Existing doorbell or chime wires can be utilised (disconnect from transformer).
- Internal stations are equipped with Door Release and one Function button to turn on entrance light, etc.
- Optional call extension sounder.
- Chime tone calling.
- All call between internal stations.

Specifications

Power Source	AC 15V, supplied from Power Supply.		
Power Supply	Requires 15 V AC 1100mA power supply. (1ps per 2 units)		
Calling	Electronic tone.		
Communication	Approx. 1 min. AUTOMATIC (Hands-Free); to activate, momentarily press TALK button. MANUAL (Press-to-talk/Release-to-listen); to activate, press TALK button for 1 sec. or more.		
Weight	DB-1MD: approximately 370 g. DB-1DS: approximately 370 g. DA-1DS: approximately 270 g.		
Wiring	2 wires, polarised from door to DB-1MD. 6 wires, polarised DB-1MD - DB-1SD.		
Distance			
Diameter	0.6 mm	0.8 mm	1.0 mm
From door to master station	110 m	200 m	310 m
Master station to Power supply	55 m	100 m	155 m
From master to furthest sub	100m	100 m	100 m

System components



- DBS-1A kit consists of DB-1MD and DA-1DS
- Power supply required 15 VAC 1100. (Not supplied in kit)

Additional Options



IER-2
Call extension sounder.



EL-12S
Door release, 12V AC/DC 0.2A



Gate, Light, Garage Door (3rd party supplier). Switch contact is rated at 40mA 24 volts.



DB-1SD
Sub station.



15 VAC 1100
Power supply.



Ver: AI129

Your local Aiphone reseller:

L & C Locksmiths
107-113 Booth St,
Annandale NSW 2038
Ph : 9660 1811
Fax : 9660 2423



One Call For All Your Security Needs
www.innerwestsecurity.com

